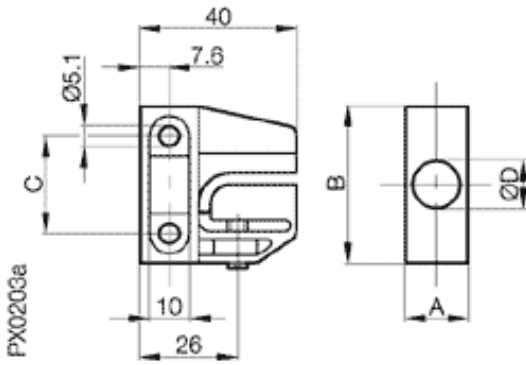


Accessories: Mounting unit BES 18.0-KB-2



A = 22; B = 45; C = 30; D = 18

Common Data

Version
Usable with

Clamp
Clamp for cylindrical sensors M18

Mechanical Data

Measurements WxHxD or Dia x D
Material
Mounting

45x40x22
PA6
recommended: 2 screws DIN 84,
M5x20mm

Datasheet number::

Definitions see general catalog.
If not otherwise noted, ratings according to
IEC 60947-5-2 (DIN EN60947-5-2)

Balluff GmbH
Schurwaldstrasse 9
73765 Neuhausen a.d.F.
Phone (07158) 173-0 Fax (07158) 5010

Datenblatt by CD-ROM - 04/2007

BALLUFF
sensors worldwide